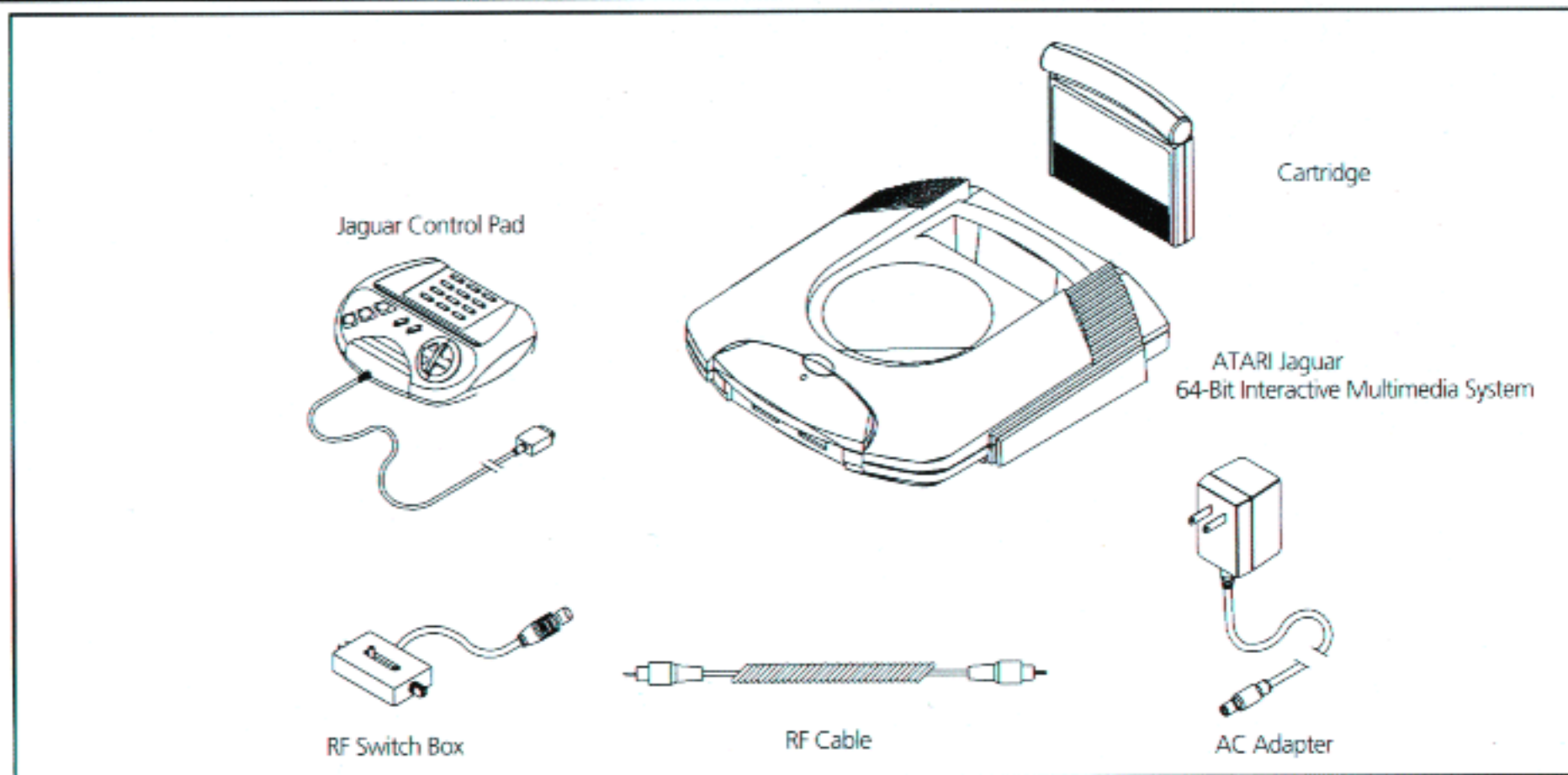


ATARI
MADE IN THE USA

JAGUAR™

U S E R ' S G U I D E

Jaguar 64-Bit Interactive Multimedia System Components



FCC Notice Information for the User

This equipment has been tested and found to comply with the limits for a Class B digital device, pursuant to Part 15 of the FCC Rules. These limits are designed to provide reasonable protection against harmful interference in a residential installation. This equipment generates, uses and can radiate radio frequency energy and, if not installed and used in accordance with the instructions, may cause harmful interference to radio communications. However, there is no guarantee that interference will not occur in a particular installation. If this equipment does cause harmful interference to radio or television reception, which can be determined by turning the equipment off and on, the user is encouraged to try to correct the interference by one or more of the following measures:

- 1) Reorient or relocate the receiving antenna
- 2) Increase the separation between the equipment and receiver
- 3) Connect the equipment into an outlet on a circuit different from that to which the receiver is connected
- 4) If necessary, consult the Atari dealer or an experienced radio/TV technician for help

The user may find the following publication prepared by the Federal Communications Commission helpful:
"How to Identify and Resolve Radio-TV Interference Problems" (Stock Number 004-000-00345-4).
Available from the US Government Printing Office, Washington, DC 220402

FCC Warning

Changes or modifications not expressly approved by the party responsible for compliance to Part 15 of the FCC Rules could void the user's authority to operate the equipment.

CONNECTING A TELEVISION:

- Connection to a TVPage 5
- Connection to a TV with a VCR attached.....Page 6
- Connection to a TV with a twin-lead terminal.....Page 7
- Connection to a TV with an F-Type converterPage 8

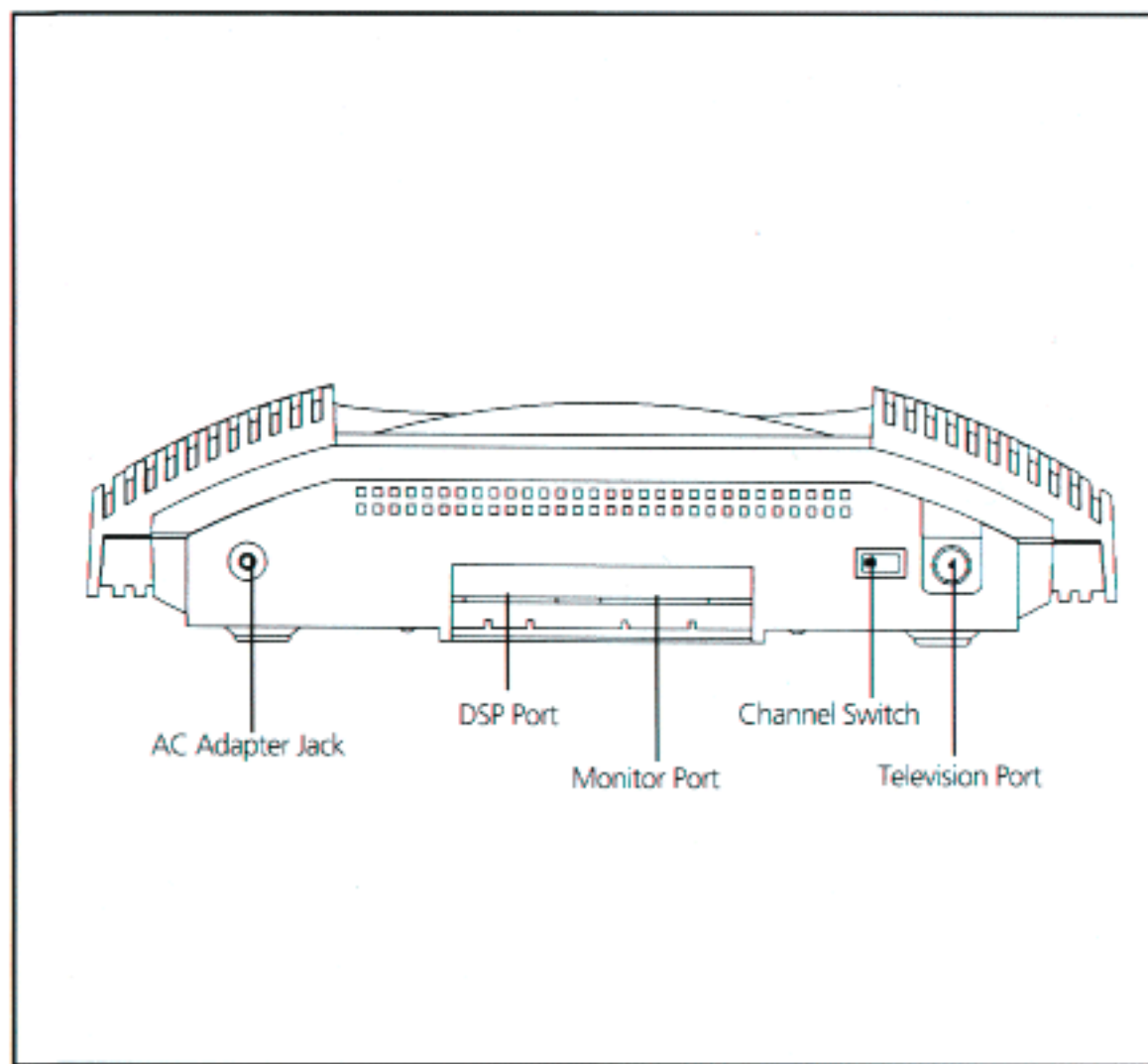
CONNECTING A COMPOSITE MONITOR OR TV:

- Connection to a composite monitorPage 9
- Connection to a monitor with S-video.....Page 10

IF YOU NEED HELP

Read this manual thoroughly before connecting your Atari Jaguar System. If you have difficulties, first consult the Troubleshooting Chart on page 14. If you still have difficulties, call the Atari Consumer Service Department at 1-800-GO-ATARI.

4



Precautions

Unplug the AC Adapter from the electrical outlet if your System will be unused for long periods of time.

Use only the AC Adapter that came with your Jaguar 64-Bit Interactive Multimedia System.

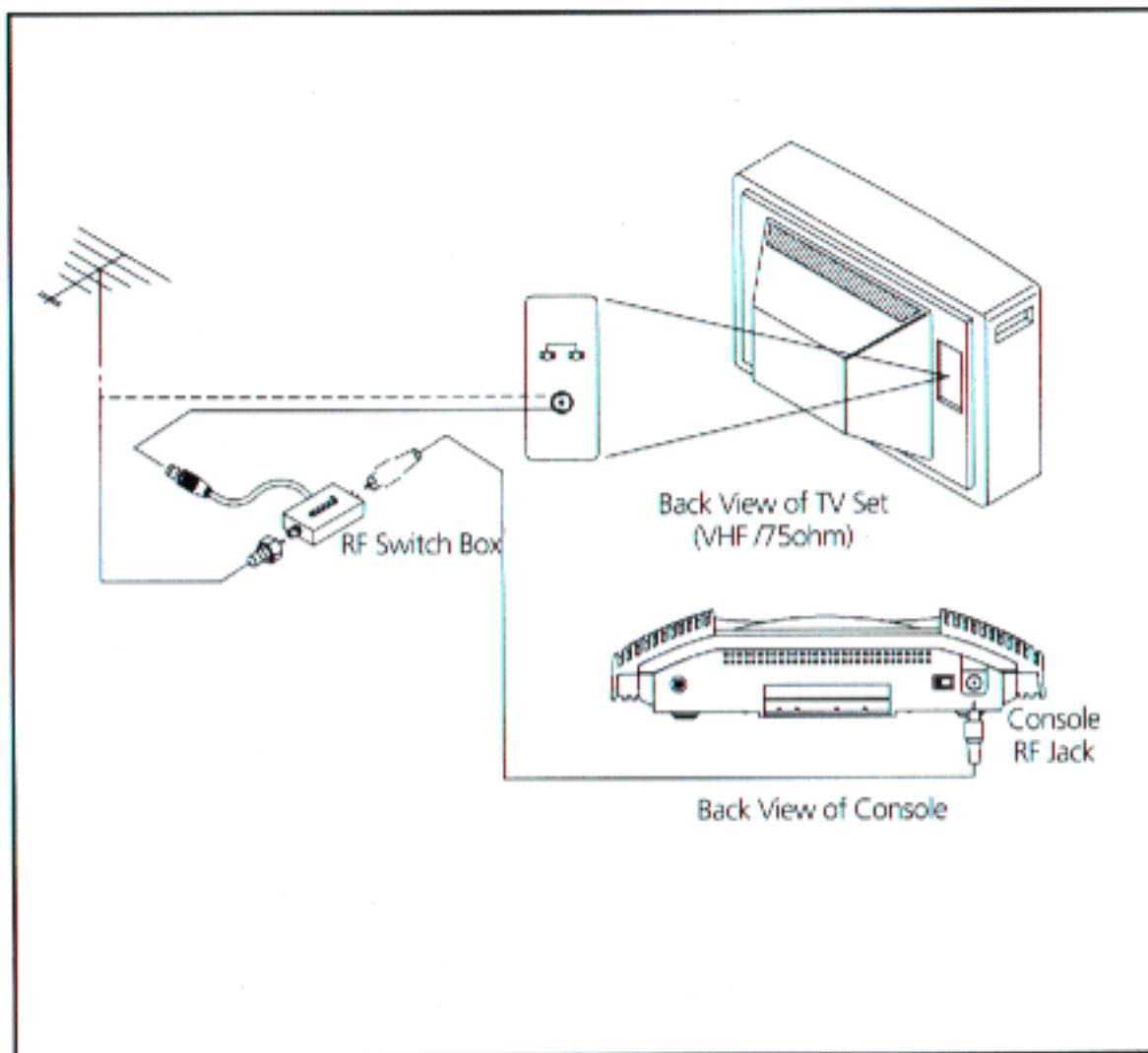
Do not leave the System, controllers or cartridges in direct sunlight, damp areas or near heaters.

Do not disassemble the Console or any of its parts as it will violate the warranty.

TELEVISION

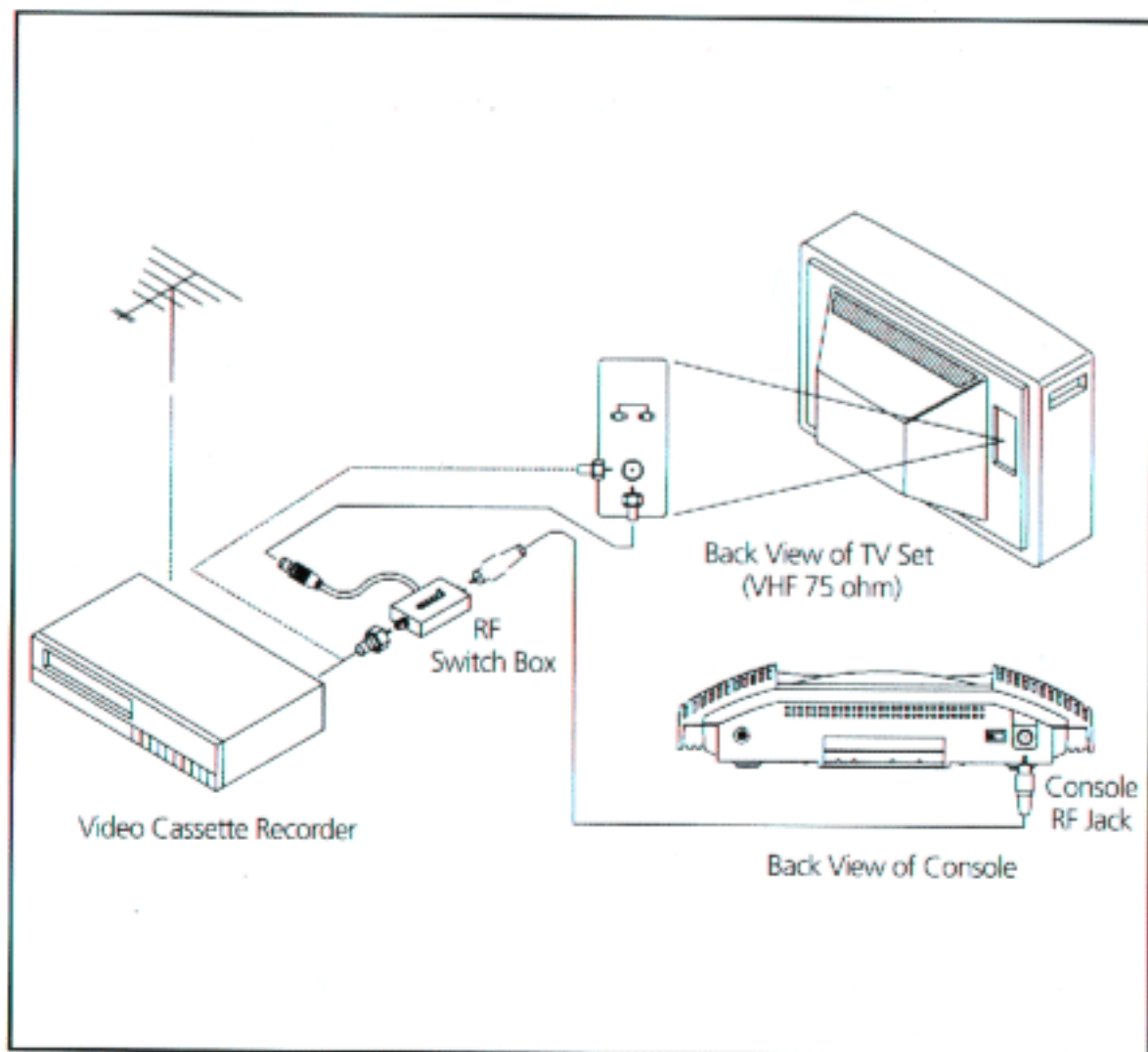
IF CABLE TV or a VHF Antenna is already plugged into your television, use the RF Switch Box.

1. Disconnect the VHF Antenna or Cable Lead from the television. Plug the same cable into the RF Switch Box terminal marked "CONNECT TO ANTENNA."
2. Plug the Switch Box cable marked "CONNECT TO TV VHF" into the television's VHF terminal.
3. Plug the supplied RF Switch Box Cable into the terminal marked "JAGUAR" and to the back of your Jaguar 64-Bit Interactive Multimedia System terminal marked "TV."



TELEVISION WITH VCR

6



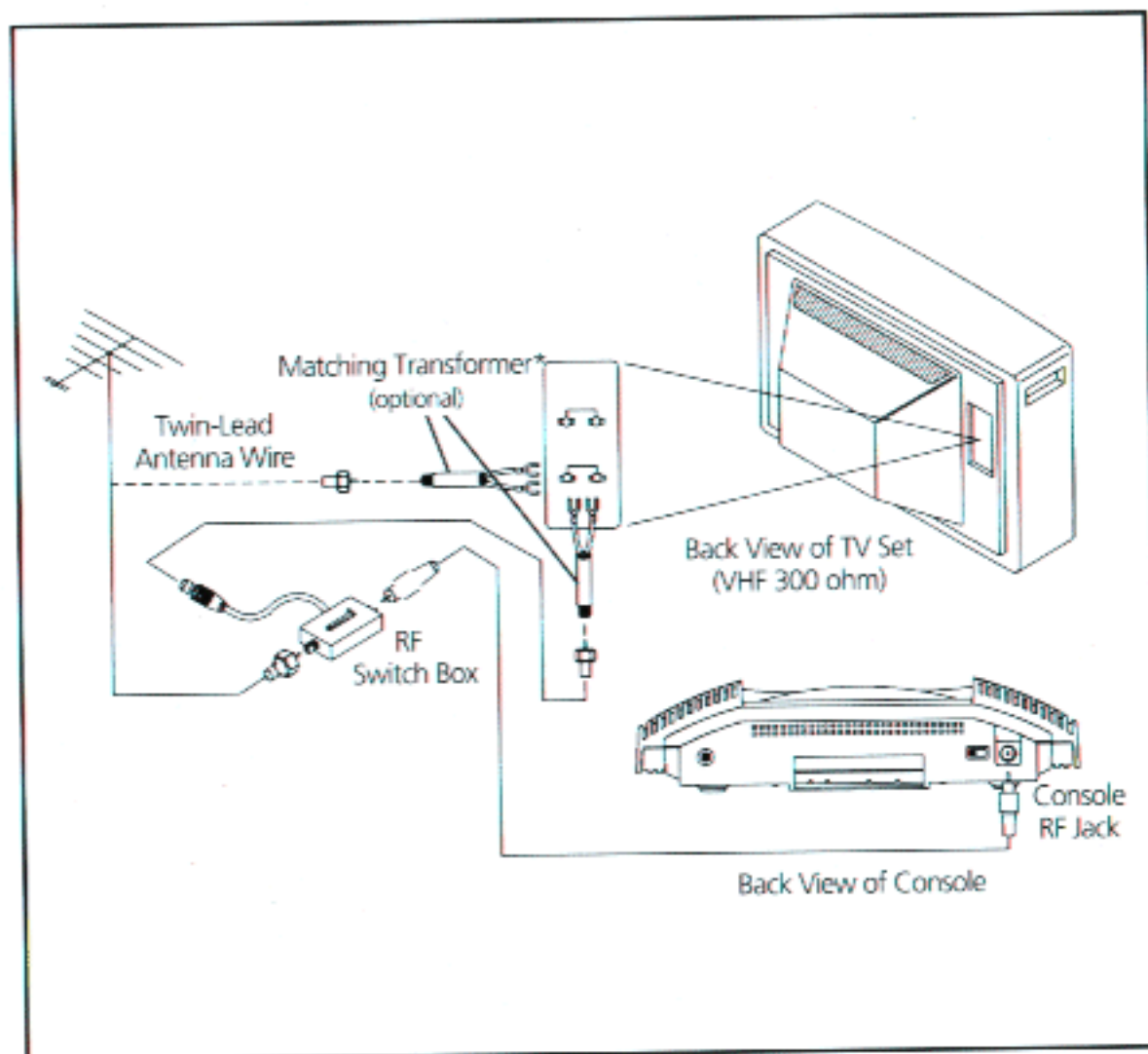
IF A VHF ANTENNA or Cable TV is already plugged into your VCR, use the RF Switch Box.

1. Disconnect the VCR Cable from the television. Plug the same cable into the RF Switch Box terminal marked "CONNECT TO ANTENNA."
2. Plug the Switch Box cable marked "CONNECT TO TV VHF" into the television's VHF terminal.
3. Plug the supplied RF Switch Box Cable into the terminal marked "JAGUAR" and to the back of your Jaguar 64-Bit Interactive Multimedia System terminal marked "TV."

TELEVISION WITH TWIN-LEADS

IF YOUR TELEVISION only has terminal leads, use a Matching Transformer* and the RF Switch Box.

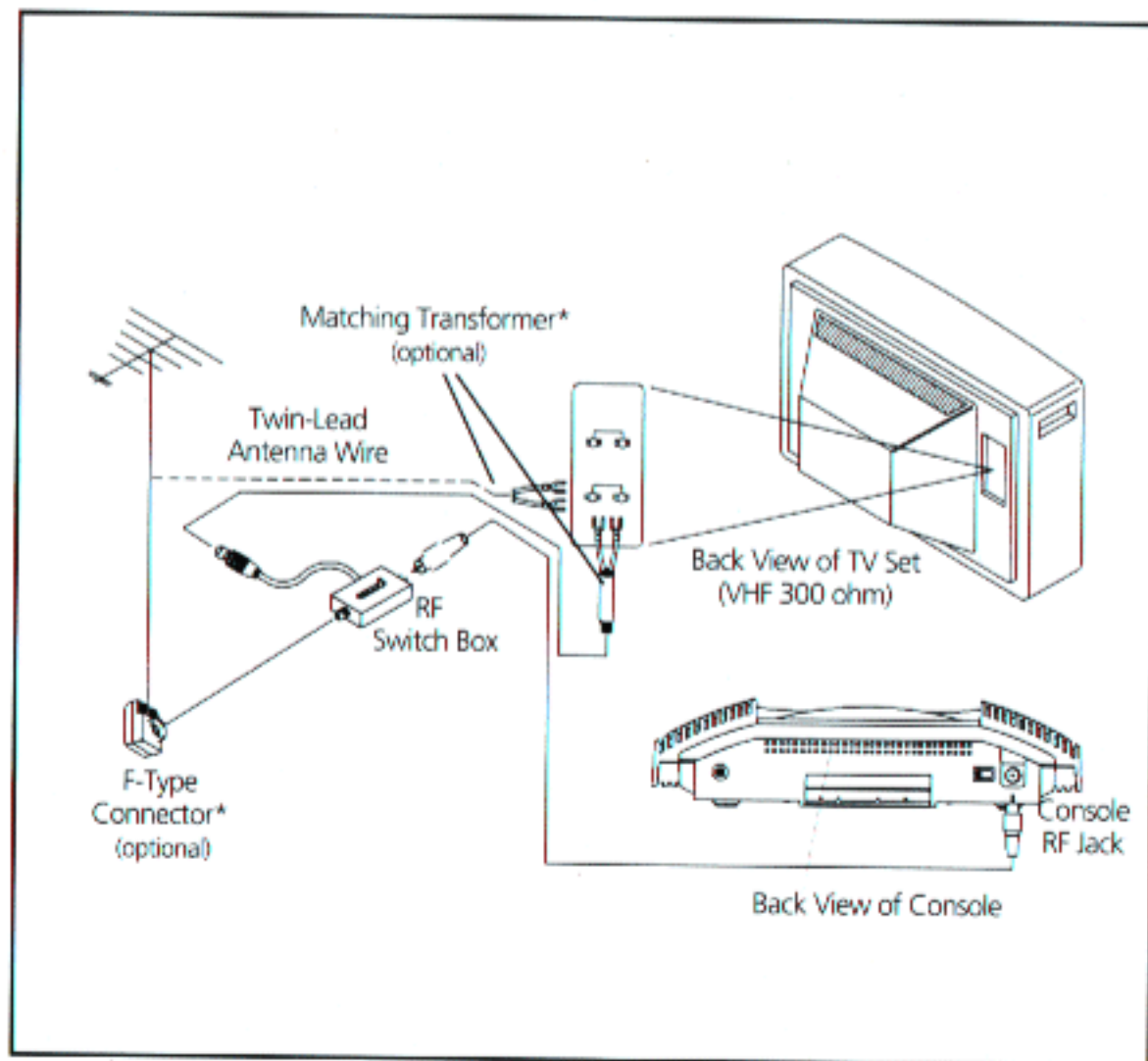
1. Disconnect the Antenna Wire from the television and connect it to the antenna or Cable TV lead (an F-Type Converter* may be required). Attach the antenna lead (or F-Type Converter) to the RF Switch Box terminal marked "CONNECT TO ANTENNA."
2. Plug the Switch Box cable marked "CONNECT TO TV VHF" into a Matching Transformer*. Attach the twin leads from the Matching Transformer to your TV terminal.
3. Plug the supplied RF Switch Box Cable into the terminal marked "JAGUAR" and to the back of your Jaguar 64-Bit Interactive Multimedia System terminal marked "TV."



* available from your local electronics retailer.

TV WITH F-TYPE CONNECTOR

8



* available from your local electronics retailer.

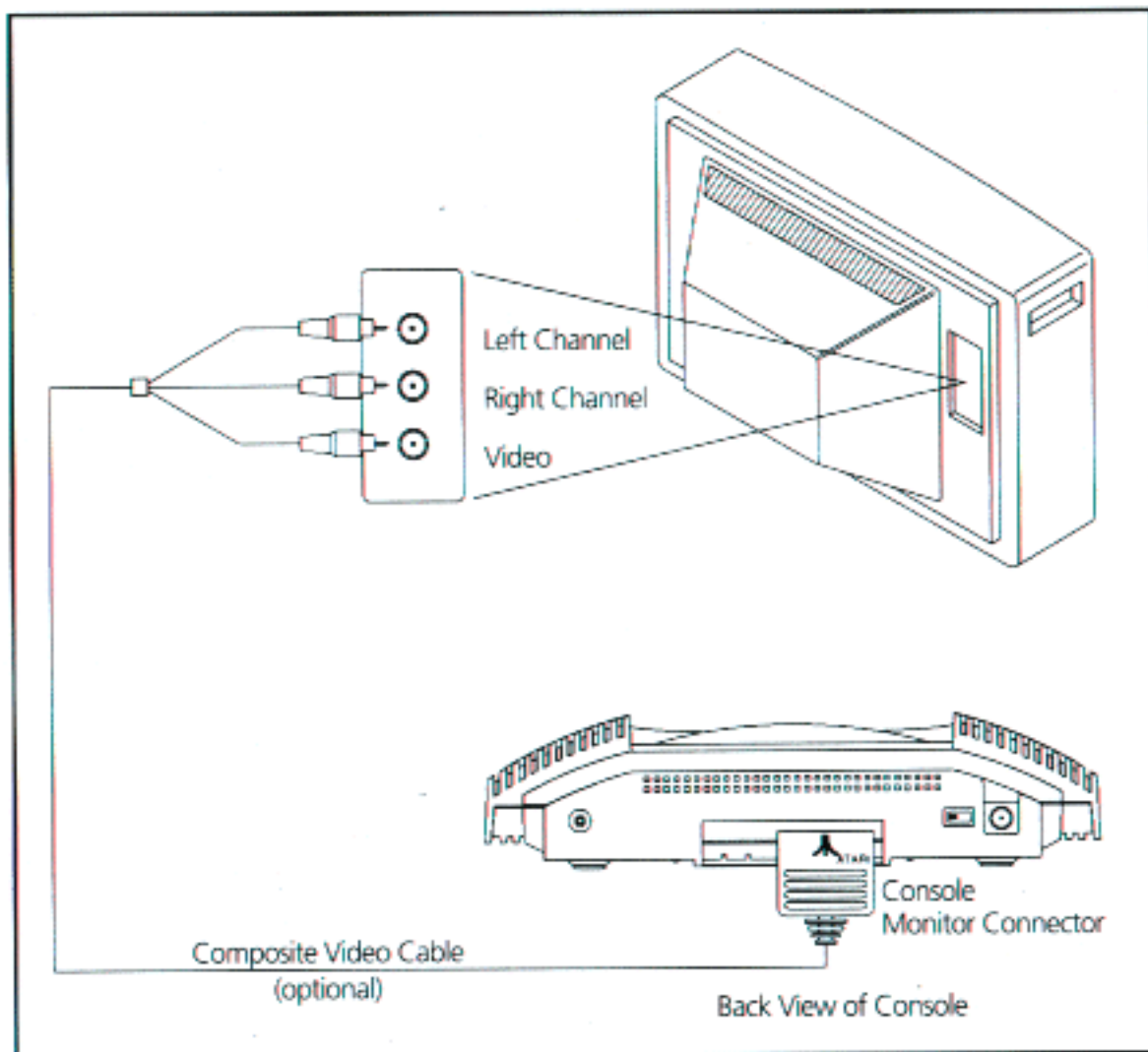
IF YOUR TELEVISION has an F-Type Converter*, use the RF Switch Box.

1. Disconnect the F-Type Converter going to the television and attach it to the RF Switch Box terminal marked "CONNECT TO ANTENNA."
2. Plug the Switch Box cable marked "CONNECT TO TV VHF" into the television.
3. Plug the supplied RF Switch Box Cable into the terminal marked "JAGUAR" and to the back of your Jaguar 64-Bit Interactive Multimedia System terminal marked "TV."

COMPOSITE TV OR MONITOR

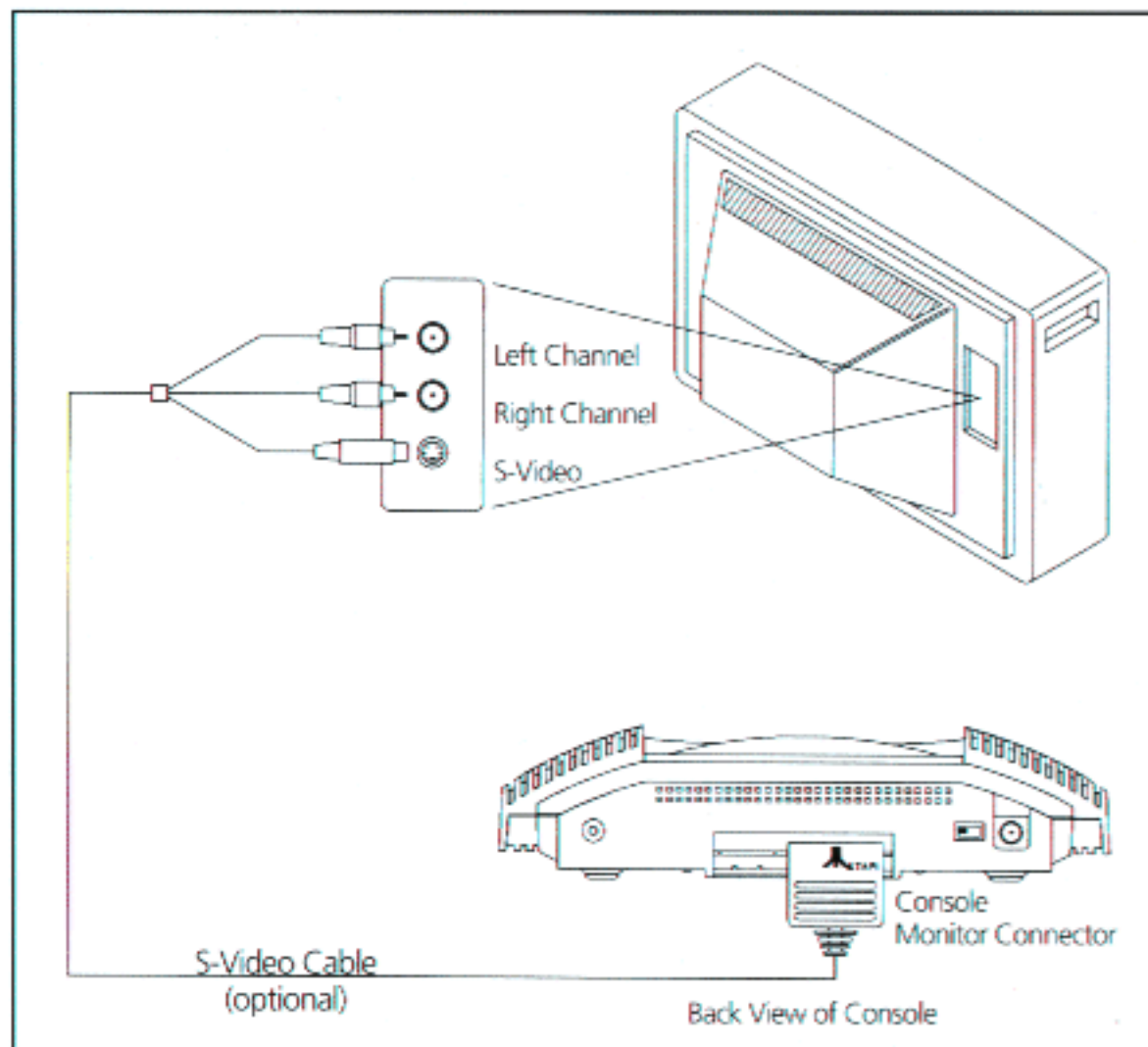
IF YOUR MONITOR or VCR support **composite video** input, you can use the Jaguar's AV port with a Composite Monitor Connector from Atari. (See page 13 for ordering information.)

1. Slide the single-plug end of the Composite Monitor Cable **FIRMLY** on to the connector on the back of your Jaguar 64-Bit Interactive Multimedia System terminal marked "AV."
2. Insert the yellow plug on the Composite Monitor Cable into the monitor's Video input jack. Insert the red plug into the monitor's Right Channel input jack (also red). Insert the white plug into the monitor's Left Channel input jack (also white).
3. You will have to choose Audio Input on your monitor or VCR to select the signal from your Jaguar 64-Bit Interactive Multimedia System.



TV OR MONITOR WITH S-VIDEO

10

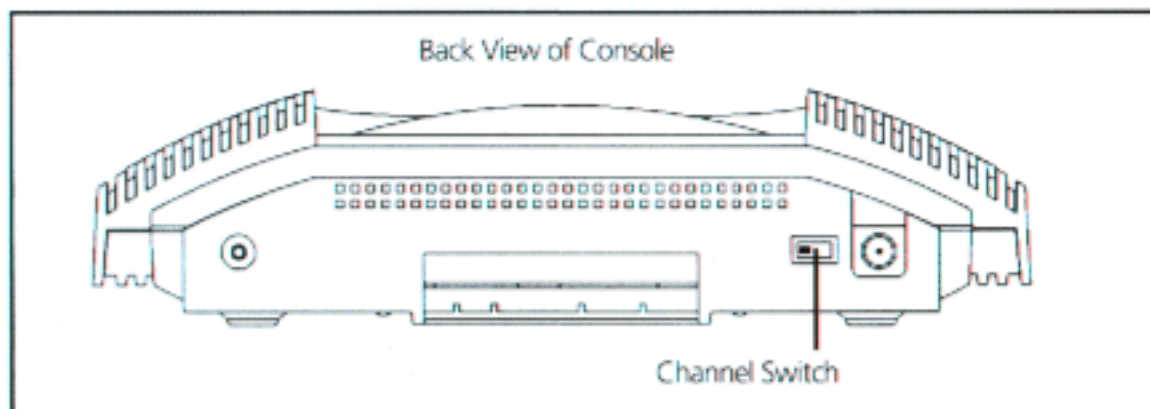
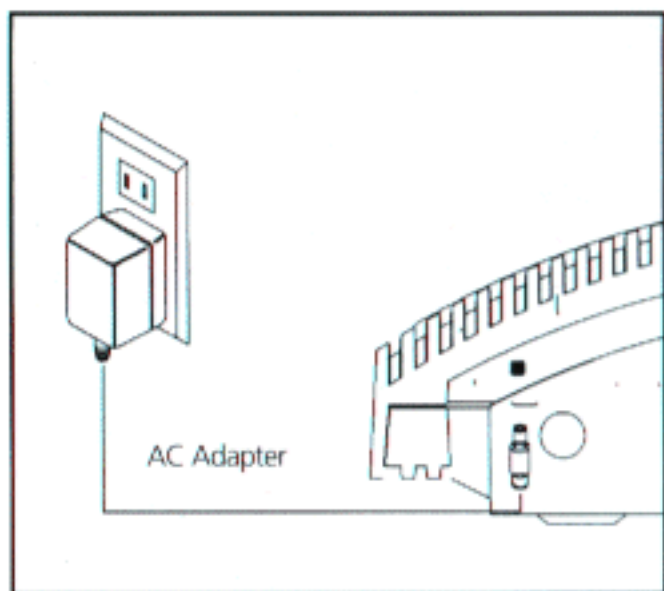


IF YOUR MONITOR or VCR support S-Video input, you may want to use the Jaguar's AV port to output a composite (RGB) signal using an S-Video Connector purchased from Atari (see page 13 for ordering information).

1. Slide the single-plug end of the S-Video Cable **FIRMLY** on to the connector on the back of your Jaguar 64-Bit Interactive Multimedia System terminal marked "AV."
2. Insert the yellow plug on the S-Video Cable into the monitor's Video input jack. Insert the red plug into the monitor's Right Channel input jack (also red). Insert the white plug into the monitor's Left Channel input jack (also white).
3. You will have to choose Audio Input on your monitor or VCR to select the signal from your Jaguar 64-Bit Interactive Multimedia System.

To AC Adapter Jack

1. Connect the AC Adapter Plug to the Adapter Jack on the back of the Jaguar 64-Bit Interactive Multimedia System.
2. Plug the AC Adapter into an electrical outlet.

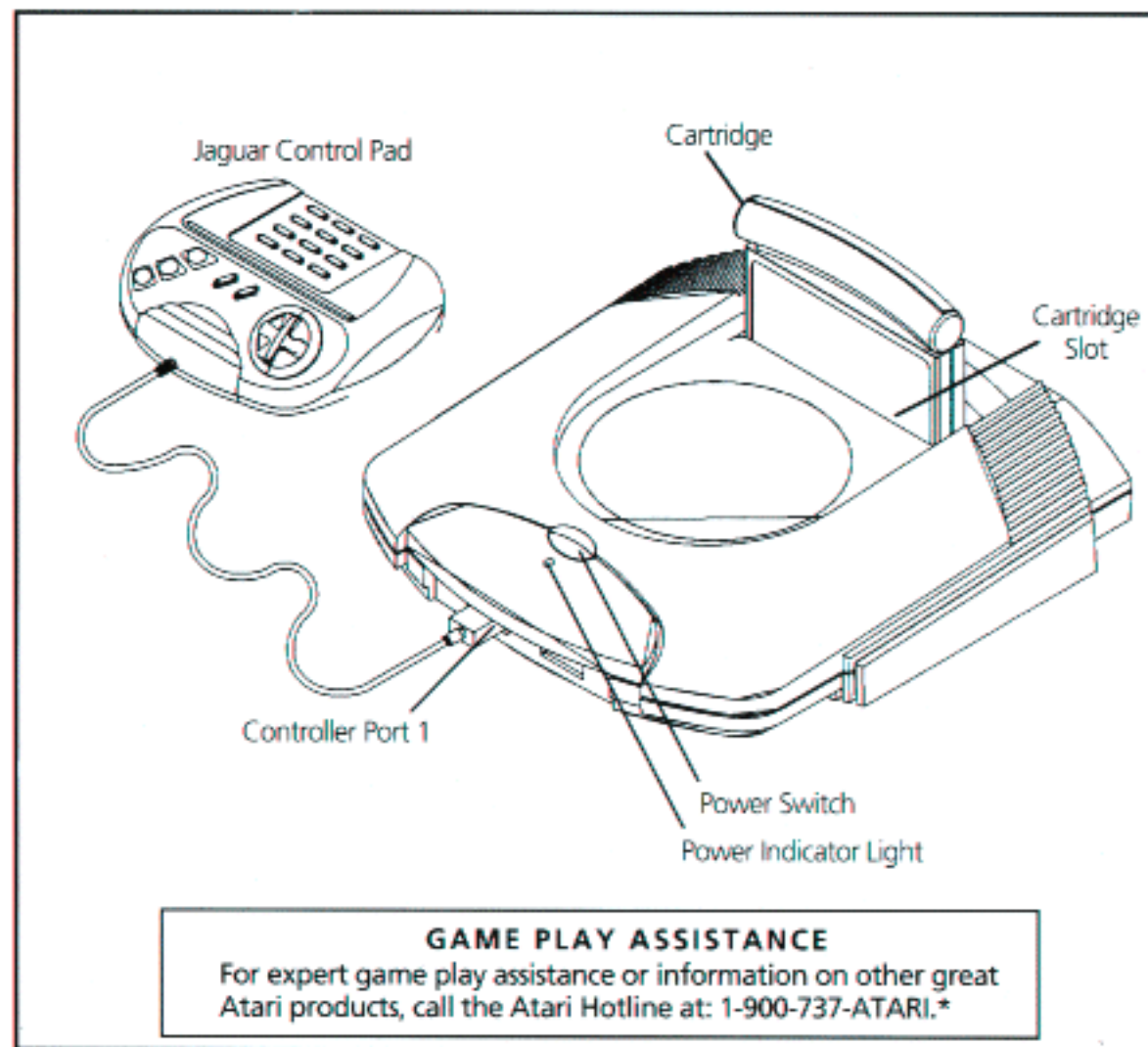


TV Channel Setting

1. If Channel 4 is the primary broadcast channel in your area, set the Channel Switch on the Jaguar 64-Bit Interactive Multimedia System to Low and set your TV to Channel 3 to play the game. If Channel 3 is the primary broadcast channel in your area, set the Channel Switch on the Jaguar 64-Bit Interactive Multimedia System to High and set your TV to Channel 4 to play the game.
2. If your TV has an automatic fine-tuning control (AFC), turn it off and manually adjust the picture. However, if you have a color TV that turns black and white when the AFC is turned off, leave the AFC on.

LET THE GAMES BEGIN

12



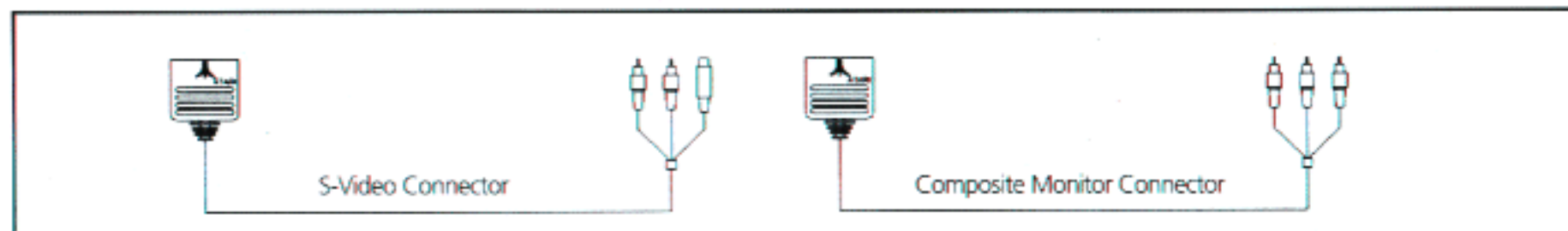
NOW YOU'RE READY to enjoy your Jaguar 64-Bit Interactive Multimedia System. Follow these easy steps:

1. Plug the Jaguar Control Pad into Port 1 on the front of the unit.
2. Make sure the Power Switch is off and that the Power Indicator Light is NOT illuminated.
3. Insert a cartridge **FIRMLY** into the cartridge slot, with the picture facing you if you are in front of the unit. The cartridge should "Lock" into place.
4. Set the RF Switch Box to "Game." To return to normal viewing, set RF Switch Box to "TV."
5. Press the Power Switch once.
6. If all connections have been made properly, the Atari logo will appear on your television or monitor, followed by the game's title screen.

* 95 cents per minute. Must have parent's permission, or be 18 years or older.

OPTIONAL EQUIPMENT

THE JAGUAR 64-Bit Interactive Multimedia System comes with everything most users will need to set up and start playing. If your TV has Composite or S-Video input, you will get better video by using a Composite or S-Video adapter, available from Atari:



Some users may require the following parts, which are available from your local electronics retailer:



Most users will need only the RF Switch Box that comes with the Jaguar to connect to their television using the RF Switch Box (see page 5 for diagram). If your television has composite video or S-video input, you may want to connect your Jaguar 64-Bit Interactive Multimedia System to those inputs on your monitor/TV. To order the Atari Composite Monitor Connector or S-Video Connector, talk to your dealer or call Atari at 1-800-GO-ATARI.

WHEN USING A COMPOSITE MONITOR OR S-VIDEO CONNECTOR ADAPTER YOU WILL NOT NEED THE RF SWITCH BOX.

IF YOUR VCR AND/OR TV CANNOT ACCOMMODATE STANDARD COAXIAL CABLE, YOU MAY NEED AN F-TYPE CONNECTOR. SOME OLDER CABLE TELEVISION SYSTEMS MAY REQUIRE A MATCHING TRANSFORMER. YOU MAY SECURE AN F-TYPE CONNECTOR OR A MATCHING TRANSFORMER FROM YOUR LOCAL ELECTRONICS RETAILER.

Problem

No Picture

Screen solid red

Screen flickers or no color

No game sound

Picture shakes

Fringes appear on TV during game play

Fringes appear on TV while viewing cable or broadcast

Power Light does not come on

Resolution

- Is Jaguar console turned on?
 - Is the TV turned on?
 - Is the power cord plugged into the Atari Jaguar properly?
 - Is there power to the wall socket?
 - Is the RF Switch Box in the GAME position?
 - Is the Cartridge pushed FIRMLY into the game slot?
 - Is the TV set to the same TV channel used by the Jaguar?
 - Are all cords to the RF Switch Box connected properly?
 - Review the connections between your antenna or cable, Jaguar console and television.
-
- Cartridge defective.
-
- Are the antenna cables connected properly?
 - Is the TV channel fine adjustment set properly?
 - Are the TV color controls set properly?
 - Is the Cartridge inserted properly?
-
- Is the TV volume too low, or off?
 - Have the connection cables come loose, or gotten disconnected?
-
- Adjust vertical and horizontal controls on TV.
-
- Adjust the manual fine-tuning adjustment controls on the TV.
-
- Is the antenna cable connected properly?
 - Make sure that you have turned off the power switch on the Jaguar Console.
-
- Is the AC Adapter plugged into a wall socket?
 - Is there power to the wall socket?

WARRANTY / CAUTION

Warranty

Atari warrants to the original purchaser this product to be free from defects in material and workmanship under normal authorized use for a Warranty Period of ninety (90) days from the date of purchase as evidenced by your receipt. Atari will repair or replace the defective system or component part at its option free of charge. After the expiration of the Warranty Period, you assume the entire cost of all necessary servicing, repair or correction.

The warranty is null and void if the hardware case has been opened and/or any parts were removed or if software or any accessories other than those authorized by Atari are used in connection with this product.

Do not return your product to the retailer. To receive "in" or "out of" warranty service call 1-800-GO-ATARI. A technician will be available to answer your questions concerning the operation of your system. If your system needs repair, the technician will estimate the cost of such repair. If you choose to have your system repaired, please enclose a check or money order for the estimated amount of the repair along with your system and mail - freight prepaid and insured for loss or damage - to: Atari Corporation, 390 Caribbean Drive, Sunnyvale, California 94088. After repair, your system will be returned freight prepaid. If, after inspection, it is determined that the system cannot be repaired and is out of the Warranty Period, your system will be returned to you and your payment will be refunded.

In no event shall Atari be liable for consequential or incidental damages resulting from the breach of any express or implied warranties. Some states do not allow limitations on how long an implied warranty lasts or exclusion of consequential or incidental damages, so the above limitation or exclusion may not apply to you.

Read before using your ATARI video entertainment system.

A very small percentage of individuals may experience epileptic seizures when exposed to certain light patterns. Exposure these patterns or backgrounds on a television screen or while playing video games may induce an epileptic seizure in these individuals. Certain conditions may induce previously undetected epileptic symptoms even in persons who have no history of epilepsy. If you, or anyone in your family, has an epileptic condition, consult your physician prior to playing. If you experience any of the following symptoms while playing a video game - dizziness, altered vision, eye or muscle twitches, loss of awareness, disorientation, any involuntary movement, or convulsions - IMMEDIATELY discontinue use and consult your physician before resuming play.

Warning to owners of projection televisions:

Still pictures or images may cause permanent picture-tube damage or mark the phosphor of the CRT. Avoid repeated or extended use of video games on large-screen projection televisions.

15



ATARI
MADE IN THE USA

JAGUAR

P/N 500339